

WEMGA320 – MIG WELDING MACHINE

WEMGA 320 is steady welding and energy efficient welding machine with 65% duty cycle. It uses patented inverter pulsed and soft switching control technology which allows for an energy efficient steady welding with fast arc ignition.

Features

1. DIGITAL DISPLAY SETTING: MIG welding machine comes with an advanced digital display, enabling the user to choose the desired setting.
2. The machine supports regular weld mode and pulse welding mode. WEMGA320 can work on a regular weld mode and also in pulse weld mode for thin metal sheets and avoid the risk of burning the sheet metal.
3. The application is on Aluminium, copper, steel and alloys.
4. Machine features a four –roller dual drive wire feeder.
5. WEMGA320 comes with a heated gas regulator to handle even the extreme climates.
6. Microprocessor control panel with user input memory allocation.



Model no: **WEMGA 320**

Accessories:

- 1) Welding Torch
- 2) Feed wire (optional)
- 3) Welding Gloves (optional)
- 4) Welding shield (optional)
- 5) Gas Regulator
- 6) Gas Trolley
- 7) Torch Holder



Welding Torch



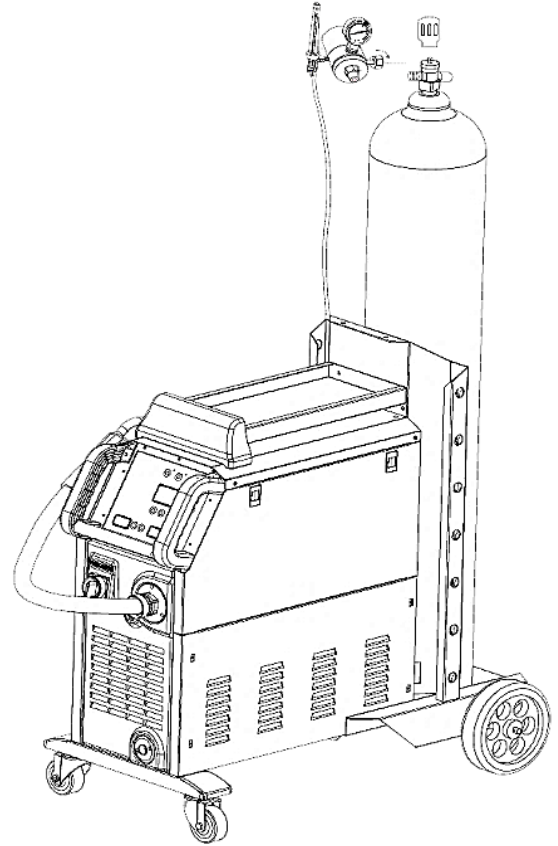
Control Panel



Mig Welding

Specification

Parameter	WEMGA320
Input Voltage (V)	220V/1 PH/ 50/60Hz
Rated Input Current (A)	28
Rated Output Current (A)	320
Output Voltage (V)	15.7-33
No-load Voltage (V)	55
Welding Wire Diameter (mm)	0.6, 0.8, 0.9, 1.0
Duty Cycle	65%
Insulation Class	F
Type	One-piece
Dimensions (mm)	1050*520*930



Schematic Diagram