



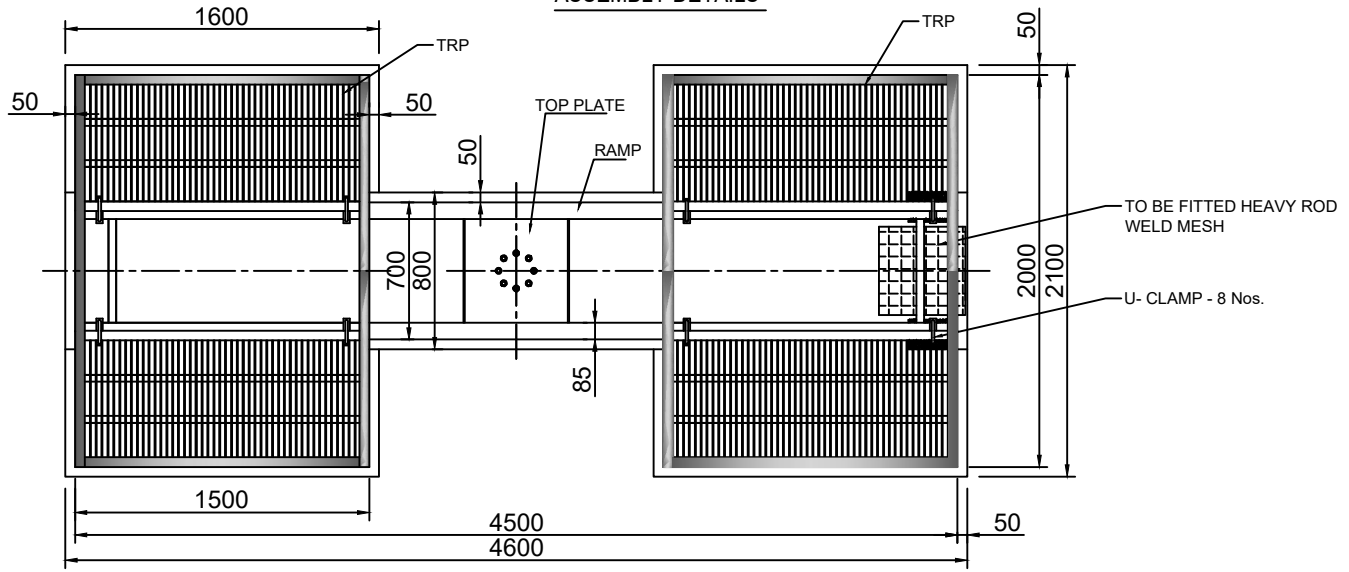
SURFACE FINISH SYMBOLS

ROUGHNESS SYMBOL	ROUGHNESS VALUE R _a mic
N1	0.025
N2	0.05
N3	0.1
N4	0.2
N5	0.4
N6	0.8
N7	1.6
N8	3.2
N9	6.3
N10	12.5
N11	25
N12	50

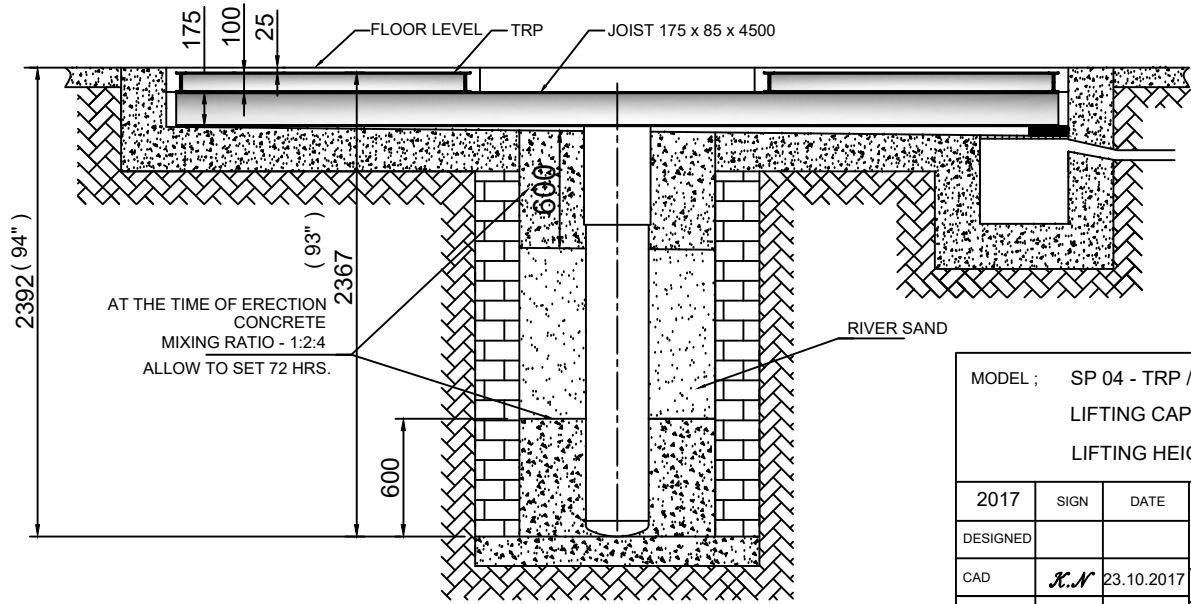
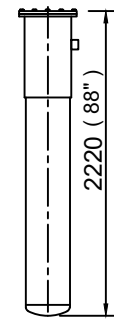
MACHINING DEVIATION FOR OPEN DIMENS. IS:2102 (Medium)	
OVER	2000
UP TO & INCL.	4000
TOLERANCE	: 2.0
	: 1.2
	: 0.8
	: 0.5
	: 0.3
	: 0.2
	: 0.1

S.NO	ALT.NO	REV.NO	ALTERATION	CHKD	APD	DATE

ASSEMBLY DETAILS



CYLINDER ASSY



ALL DIMENSIONS ARE IN "MM"

MODEL ; SP 04 - TRP / E
 LIFTING CAPACITY : 4 TON (Max)
 LIFTING HEIGHT : 1500 MM
 LAUNCH TECH WORKSHOP EQUIPMENT TR
 BMW ROAD INDUS AR 7
 SHARJAH PO.BOX 80641
 UNITED ARAB EMIRATES

2017	SIGN	DATE	TITLE
DESIGNED			INSTALLATION DETAILS OF TRP LIFT
CAD	<i>J.N</i>	23.10.2017	
DRAWN			ASSY AT :
CHECKED			SCALE :
APPROVED			1:10
			DRG.No. 022003C
			DRG.SHEET 3 OF 4 REV 00

DO NOT SCALE THIS DRAWING IF IN DOUBT ASK DESIGN DEPT.



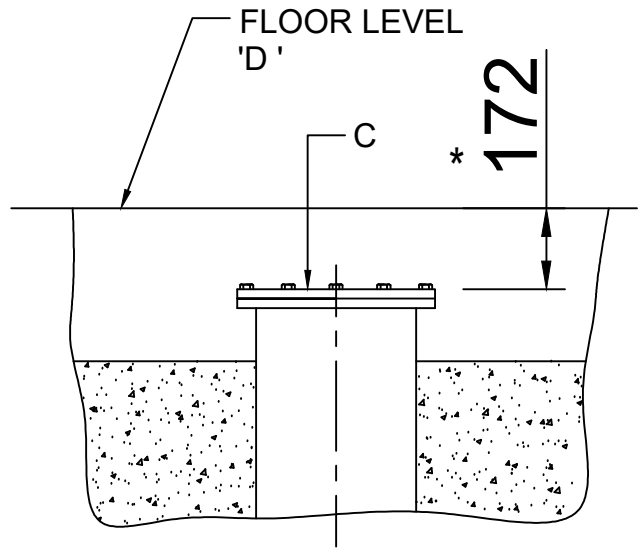
CYLINDER INSTALATION DETAILS

SURFACE FINISH SYMBOLS

ROUGHNESS SYMBOL	N1	N2	N3	N4	N5	N6	N7	N8	N9	N10	N11	N12	C
ROUGHNESS VALUE R _a μm	0.025	0.05	0.1	0.2	0.4	0.8	1.6	3.2	6.3	12.5	25	50	

MACHINING DEVIATION FOR OPEN DIMENS. (IS:2102 (Medium))

OVER	6	30	120	315	1000	2000
UP TO & INCL.	6	30	120	315	1000	2000
TOLERANCE	: 0.1	: 0.2	: 0.3	: 0.5	: 0.8	: 1.2



IMPORTANT NOTE

1. THE CYLINDER ASSY SHOULD BE REST ON SURFACE ' S ' REFER DRG. SHEET 1 OF 4, DRG.No. 02 2003 A
2. THE STRAIGHTNESS OF THE CYLINDER ASSEMBLY SHOULD BE ALIGNED TO $90^\circ \pm 1^\circ$
3. THE DIMENSION * 172 SHOULD BE MAINTAINED BETWEEN CYLINDER ASSY TOP ' C ' TO THE PROPOSED FLOOR LEVEL ' D '

ALL DIMENSIONS ARE IN "MM"

MODEL : CWLHM 104			LAUNCH TECH WORKSHOP EQUIPMENT TR		
LIFTING CAPACITY : 4 TON (Max)			BMW ROAD INDUS AR 7,		
LIFTING HEIGHT : 1500 MM			SHARJAH-80641.		
			UNITED ARAB EMIRATES		
2017	SIGN	DATE	TITLE		
DESIGNED			INSTALLATION DETAILS OF TRP LIFT		
CAD	<i>J.N</i>	23.10.2017	ASSY AT :		
DRAWN			SCALE :		
CHECKED			1:10		
APPROVED			DRG.No. 0 2 2 0 0 3 B		
			DRG.SHEET 2 OF 4 REV 00		

S.NO	ALT.NO	REV.NO	ALTERATION	CHKD	APD	DATE

