

Version: V1.0

Revised date: 2013-03-15

Copyright Information

Copyright © 2013 by LAUNCH TECH. CO., LTD. All rights reserved. No part of this publication may be reproduced, stored in a retrieval system, or transmitted in any form or by any means, electronic, mechanical, photocopying, recording or otherwise, without the prior written permission of LAUNCH. The information contained herein is compiled only for the use of LAUNCH branch companies/dealers/marketing personnel/after-sales service personnel. LAUNCH is not responsible for any use of this information as applied to other units.

Neither LAUNCH nor its affiliates shall be liable to the purchaser of this unit or third parties for damages, losses, costs, or expenses incurred by purchaser or third parties as a result of: accident, misuse, or abuse of this unit, or unauthorized modifications, repairs, or alterations to this unit, or failure to strictly comply with LAUNCH operating and maintenance instructions. LAUNCH shall not be liable for any damages or problems arising from the use of any options or any consumable products other than those designated as Original LAUNCH Products or LAUNCH Approved Products.

Trademark Information

LAUNCH is a registered trademark of LAUNCH TECH CO., LTD. (also called LAUNCH for short) in China and other countries. All other LAUNCH trademarks, service marks, domain names, logos, and company names referred to in this manual are either trademarks, registered trademarks, service marks, domain names, logos, company names of or are otherwise the property of LAUNCH or its affiliates. In countries where any of the LAUNCH trademarks, service marks, domain names, logos and company names are not registered, LAUNCH claims other rights associated with unregistered trademarks, service marks, domain names, logos, and company names. Other products or company names referred to in this manual may be trademarks of their respective owners. You may not use any trademarks, service marks, domain names, logos, or company names of LAUNCH or any third party without permission from the owner of the applicable trademarks, service marks, domain names, logos, or company names. You may contact LAUNCH by visiting the website at www.cnlaunch.com, or writing to LAUNCH TECH. CO., LTD., Launch Industrial Park, North of Wuhe Rd., Banxuegang, Longgang, Shenzhen, Guangdong, P. R. China, to request written permission to use Materials on this manual for purposes or for all other questions relating to this manual.

General Notice

Other product names used herein are for identification purposes only and may be trademarks of their respective owners. LAUNCH disclaims any and all rights in those marks.

There is a possibility that this unit is inapplicable to some of the vehicle models or systems listed in the diagnostic section due to different countries, areas, and/or years. Do not hesitate to contact LAUNCH if you come across such questions. We are to help you solve the problem as soon as possible.

Table of Contents

1. Brief Introduction.....	1
2. Creader Professional CRP12X Series Configuration Components.....	1
3. Creader Professional CRP12X Series Main Unit Parts.....	2

1. Brief Introduction

This manual mainly introduces Creader Professional CRP12X Series configuration assembly, main unit parts list and connector parts list which include the items of ERP Code, Name, Qty. and Picture. The manual is provided only for LAUNCH agencies and dealers in order to enable them correctly deal with the management affairs about sales, after-sales service and product parts etc.

2. Creader Professional CRP12X Series Configuration Components

Table 2-1 shown as below contains a detailed list of Creader Professional CRP12X Series configuration assembly.

NO.	ERP Code	Name	Qty.	Picture
1	301050113	CRP121 main unit	1	
2	301050115	CRP122 main unit	1	
3	301050125	CRP123-US main unit	1	
4	301050123	CRP123-AP main unit	1	
5	301050124	CRP123-EU main unit	1	
6	301050116	CRP123 main unit	1	
6	301050118	CRP129 main unit	1	
7	105021013	Creader Professional diagnostic cable	1	
8	108040100	TF card	1	
9	108040108	TF card reader	1	
10	105020991	CReader VII USB cable	1	

3. Creader Professional CRP12X Series Main Unit Parts

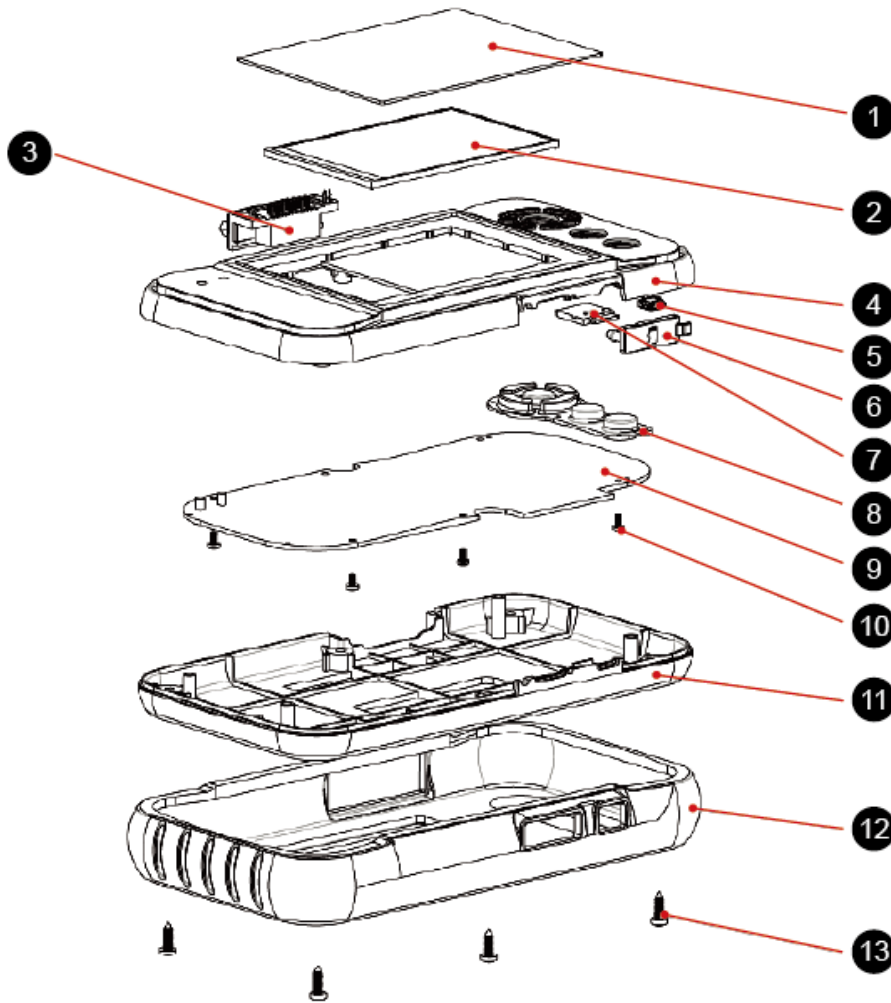


Fig. 3-1 Main Unit Exploded View

Table 3-1 Creader Professional CRP12X Series Main unit Components

NO.	ERP Code	Name	Qty.
1	104040737	CR121 transparent lens	1
	104040749	CRP123-EU transparent lens	1
	104040747	CRP123-AP transparent lens	1
	104040748	CRP123-US transparent lens	1
	104040738	CRP 122 transparent lens	1
	104040739	CRP 123 transparent lens	1
	104040741	CRP 129 transparent lens	1
2	102190171	LCD	1
3	102160223	DB15M_AFO	1
4	104011119	CRP upper cover	1
5	102160801	Micro USB socket	1
6	104110173	CRP TF card cover	1
7	108040100	TF card	1
8	104110174	CRP silica gel button	1

9	205010786	PCA (for CRP121 / CRP122 / CRP123 / CRP123-EU / CRP123-AP / CRP123-US)	1
	205010798	PCA (for CRP129)	1
10	103011131	Cross recessed pan head screws, M2*4	6
11	104011120	CRP lower cover	1
12	104020091	CRP soft rubber sleeve	1
13	103010520	Cross recessed pan head tapping screws, ST2.9*10	6
Others			
1	107022277	CRP 122 Model No. sticker	1
2	107022278	CRP 122 barcode sticker	1
3	107022283	CRP 123-US Model No. sticker	1
4	107022284	CRP 123-EU Model No. sticker	1
5	107022285	CRP 123-AP Model No. sticker	1
6	107022286	CRP 123-US barcode sticker	1
7	107022287	CRP 123-EU barcode sticker	1
8	107022288	CRP 123-AP barcode sticker	1
9	107022290	CRP121 screen sticker	1
10	107022291	CRP122 screen sticker	1
11	107022292	CRP123-US screen sticker	1
12	107022293	CRP123-EU screen sticker	1
13	107022294	CRP123-AP screen sticker	1
14	107022295	CRP129 screen sticker	1
15	107022296	CRP129 Model No. sticker	1
16	107022297	CRP129 barcode sticker	1