

## LJCC-2080A TWO POST LIFT

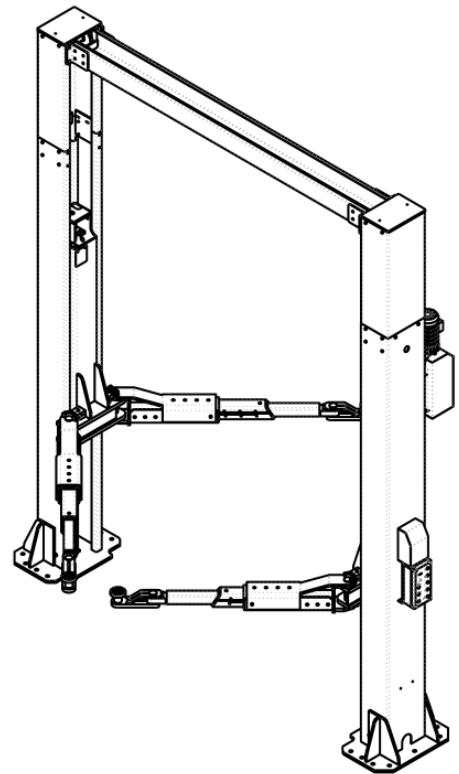
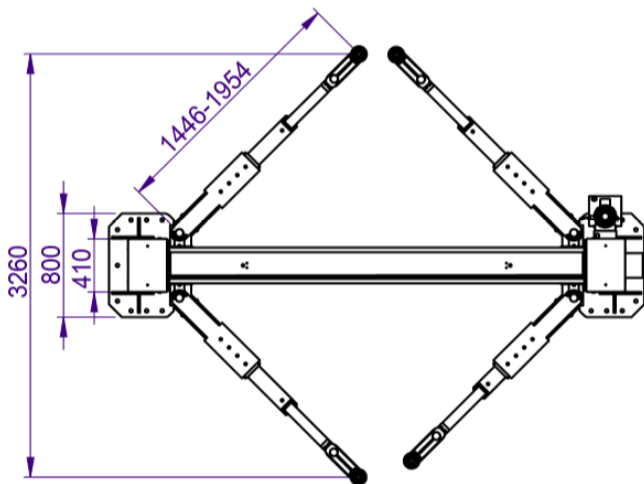
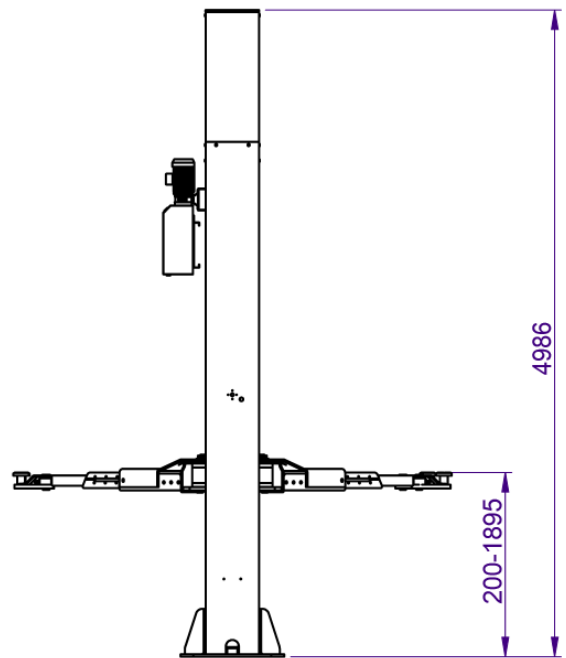
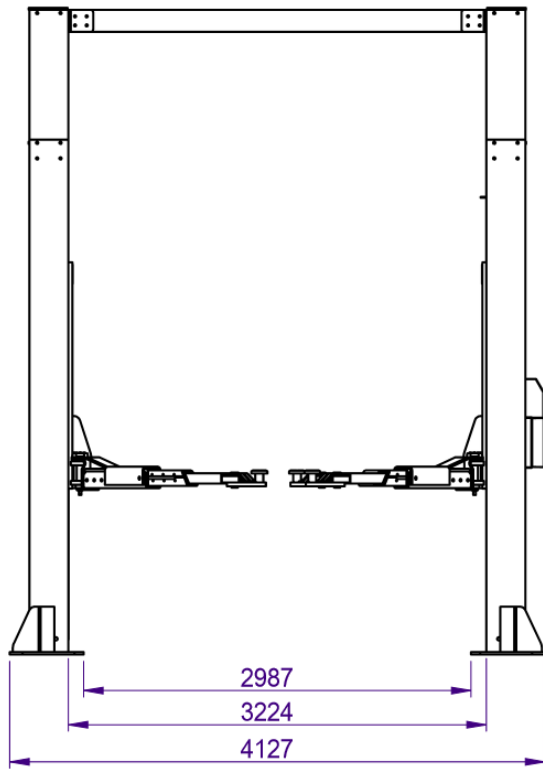
DaTo Lifts are designed with high quality steel, sand blasted - heat treated and powder coated robust structure to deliver the best durability and reliable service to our valuable customers. The Self locking mechanism and synchronizing Steel Cables adds to the safety features of the lift.



### Features:

- Fully automatic Lift with Unlocking Mechanism using pushbutton.
- Auto stop function at maximum height.
- Hydro mechanical lifting assembly ensures smoother operation.
- Two stage short and three stage long arm assists in asymmetric lifting off road vehicles and vans.
- Self-controlled lowering speed.
- Dust proof cover ensures cleaner carriage path.
- Three stage screw type height adaptors.
- Vehicle door anti crush protection pad.

## Technical Diagram:



## Specifications:

Description	Specifications
Capacity	8.0 Ton
Min Lifting Height	200 mm
Lifting Height	1895 mm
Power Supply	380v/3Ph/50Hz
Arm Extension	1446 -1954 mm
Width between carriage	2987 mm
Width between Columns	3224 mm
Overall Width	4127 mm
Overall Height	4986 mm