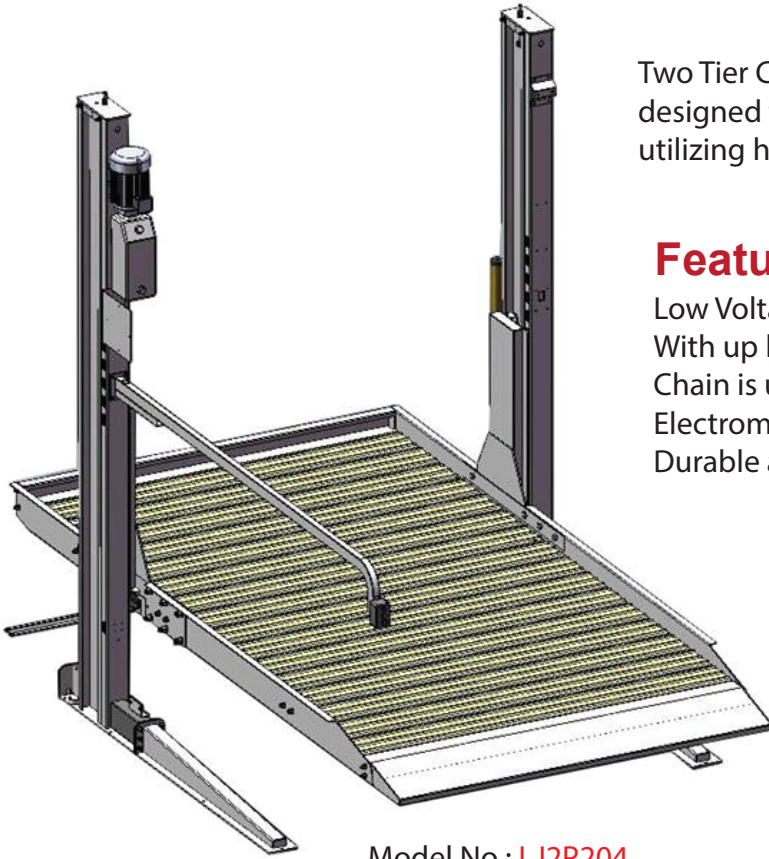


LJ2P204 - TWO POST CAR PARKING LIFT



Model No : **LJ2P204**

Two Tier Car Parking Lift – the most reliable and durable lift designed from DaTo Tech, utilizing high quality components and synchronizing chains.

Features

- Low Voltage Control (24V)
- With up limit switch to avoid collision when lifting up the vehicle.
- Chain is used instead of cable for maximum safety and reliability.
- Electromagnetic release.
- Durable and Reliable

Specification

Model	LJ4P204
Power Supply	380V/3PH or 220V/1PH
Power	2.2kw
Lifting Capacity	2800kg
Max Lifting Height	2100mm
Platform Size	4266x2100mm

Floor Diagram

