

## LJS7035 -3.5TON SCISSOR LIFT IN GROUND DOUBLE EXTENSION

Model No : LJS7035



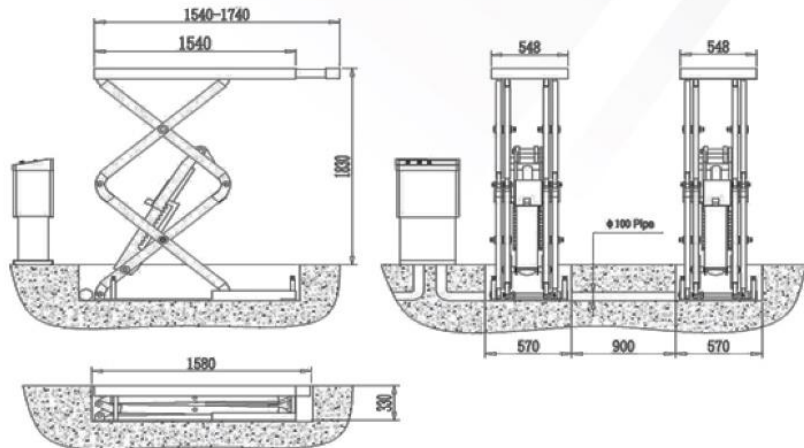
The small platform scissor lifts are designed to excel with the low profile cars (super cars) and also facilitate quick wheel and brake service job as compared to column lifts as its pretty easy to position the vehicle and smooth and low noise operation. The lift has been designed with utmost care to assure synchronized operation and assures safety operation.

### Features

- In ground installation
- Optional choose alignment platform or plain platform (non alignment)
- Low voltage control of 24v
- With anti-knock valve and safety valve to ensure additional safety
- Perfect synchronization, stable and reliable operation
- Extension on top plate to suit for various types of vehicles
- Optional SUV adaptors available for better and utility with SUVs

### Specification

Description	LJS7035
Capacity	3.5 Ton
Lifting Height mm	330-2160mm
Power Supply	220/380V
Motor Power	2.2KW/3HP
Platform Length	1640-2040mm
Platform Width mm	548mm
Air Pressure	6-8kg/cm <sup>2</sup>
Extension	Double



*Images may show the product equipped with optional accessories*



Optional SUV kit



Italian pump