

MCLD4275 - MOBILE COLUMN LIFT

Model No : MCLD4275

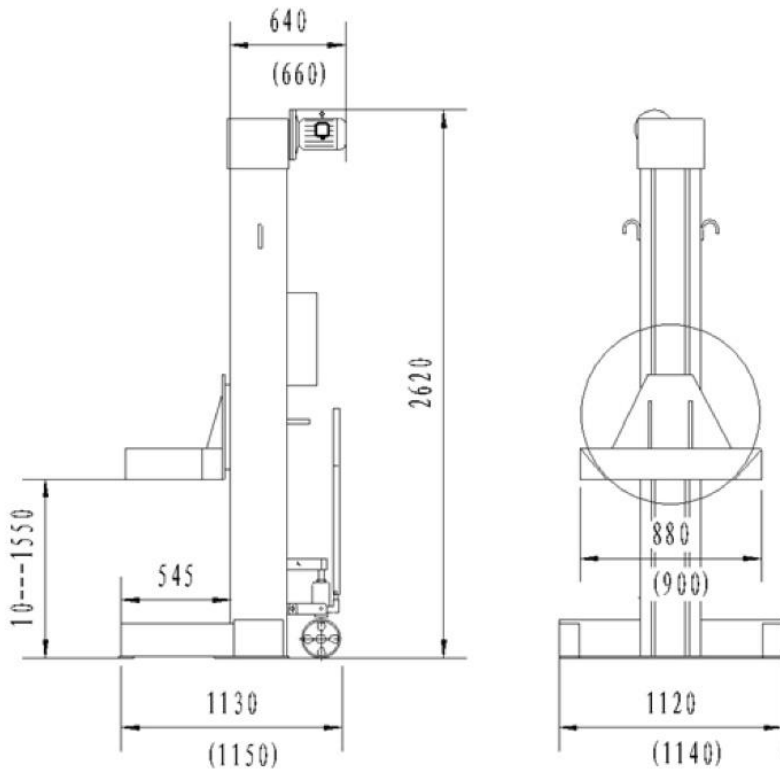


DaTo Mobile Column lifts are most recommended to lift heavy duty / commercial vehicles, where in the per axle tonnage is higher. DaTo a prominent name in the mobile column lift sector caters to the requirement of hoisting the vehicles and is able to move in and move out freely after usage. The possibility of using the jack stands under the vehicles once raised by a mobile column lift shall benefit more in using the same sets of mobile column for lifting more number of vehicles with ease while the raised vehicles are supported by jack stands

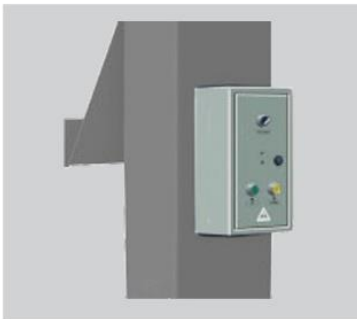
Parameters

Lifting capacity of single post	7500kg
Maximum lifting height	~1550mm
Bodywork length lifted	Not Restricted
Bodywork width lifted	Not Restricted
Lifting speed	60mm / min
operating voltage	24V
Quantity of single post	800kg
Noise	<60.Db (-) /m
External dimension of vertical post	1120*1120*2620mm
Ambient temperature	5°C - +40°C
Working environment	Either Indoors or outdoors good for equipment working indoors

External dimension of single post



Features



The control box on primary column controls one or four coluns synchronously per needs



With a max safety weight load of 7.5T for heavy duty vehicles



Mobile Column, suitable for outdoor and indoor

- High quality components in use, durable and eas to maintain
- Double safety locks allow lifting and lowering steadily