

SINGLE COLUMN LIFT



Italian pump



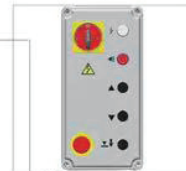
Chinese pump



Safety lock



Mobile kit



With control box



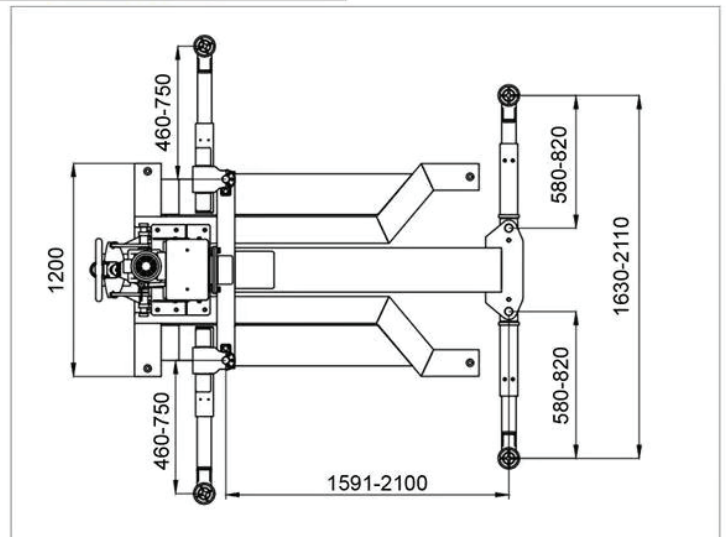
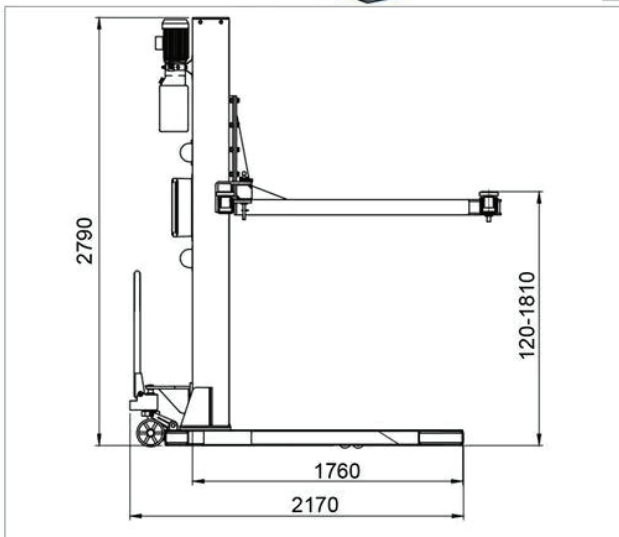
Swing arm



Support rubber



Optional adapter



Dimension drawing

Features:

- 1 24V Low voltage control; Drive over ramps;
- 2 Telescoping Two Stage Swing Arms; Heavy duty arm restraints;
- 3 Mechanical safety with automatic electrical release;
- 4 With manual lowering valve in case of no power supply;
- 5 Vehicle perfectly accessible from two sides;
- 6 The doors on the opposite side of the column can open without restriction;